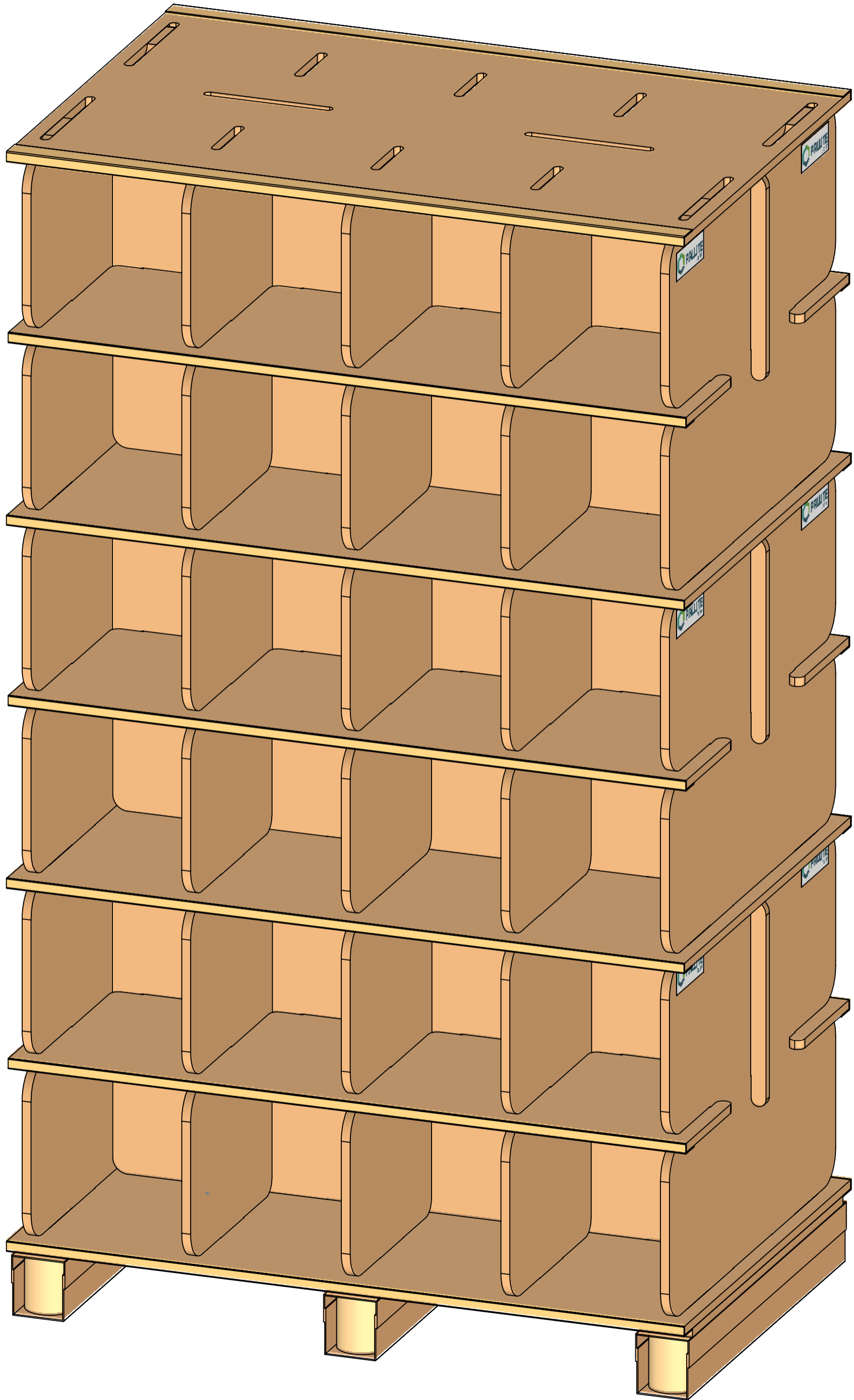


Product code - 4006b





**The Following Instructions are for the Safe Assembly of
PIX® SLOTS ESSENTIAL TWIN Units.**

Before Assembly

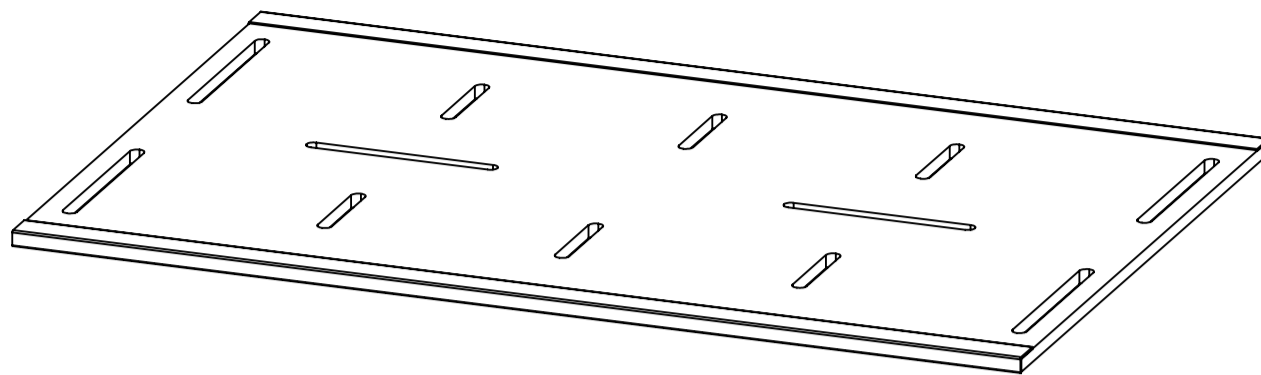
- **Ensure work area is clear and large enough for safe assembly.**
 - **Work area should be level.**
 - **Wear suitable to gloves to prevent cuts.**
- **Always follow recommended safe manual handling techniques when assembling.**

After Assembly

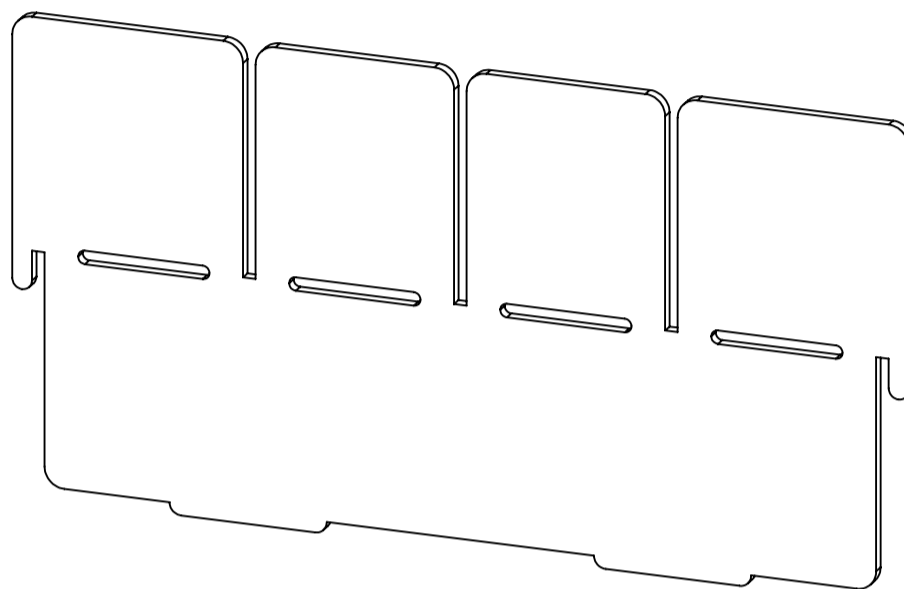
- **Do not climb on shelving unit.**
- **Ensure heavier weights are loaded on the lower levels of the unit.**
 - **Follow safe loading guidelines**



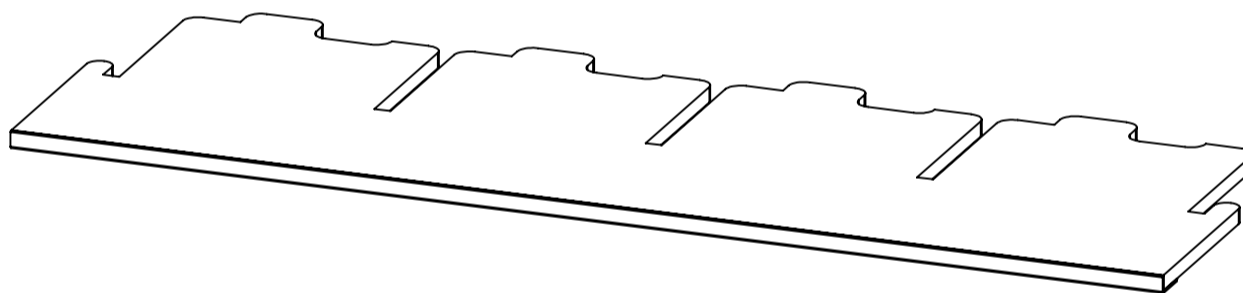
LID & HORIZONTAL SHELF



SPINE

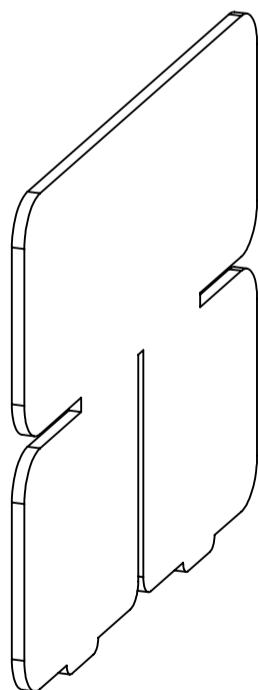


INTERMEDIATE HORIZONTAL SHELF

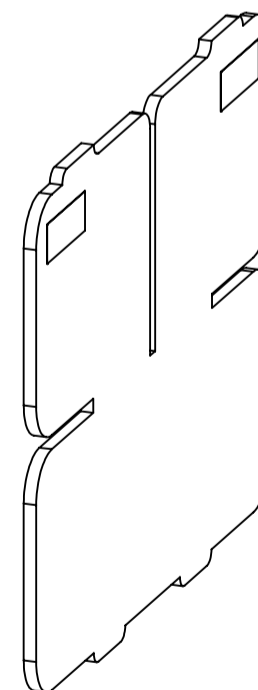


*Some units may not contain 'Intermediate Horizontal Shelf'

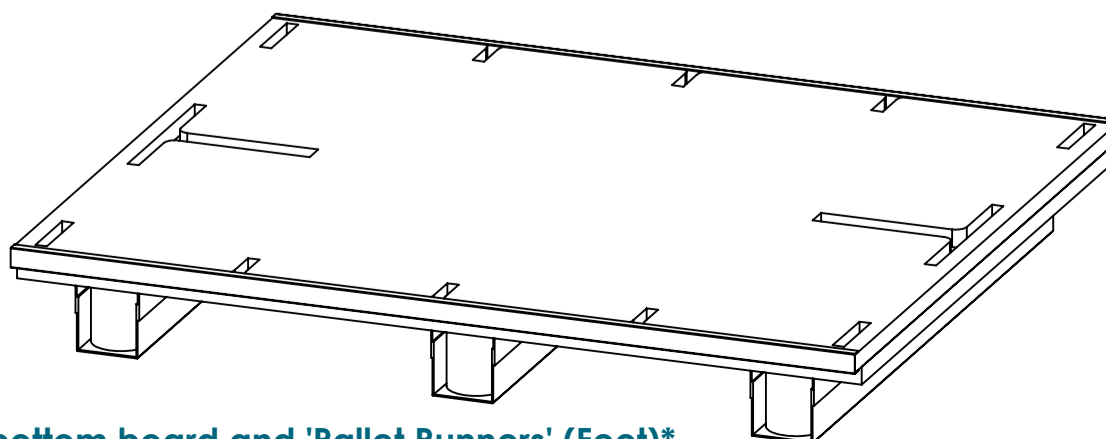
DIVIDER



SIDE



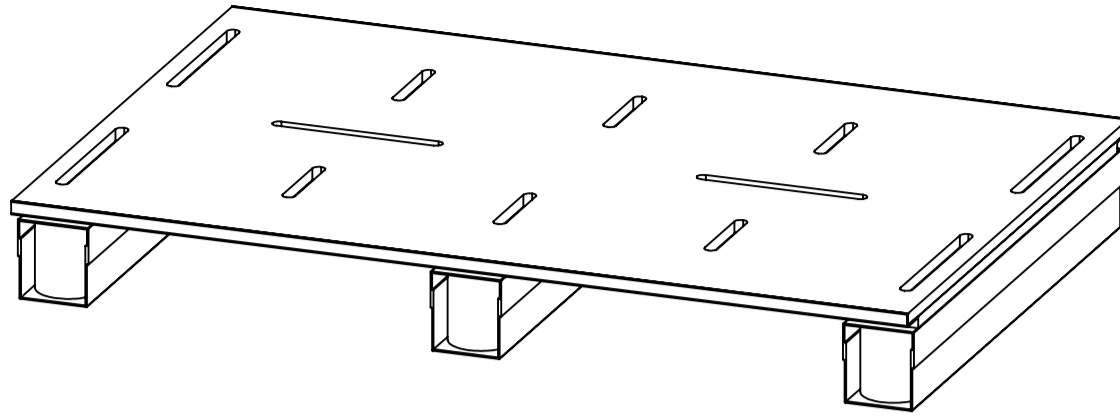
BASE



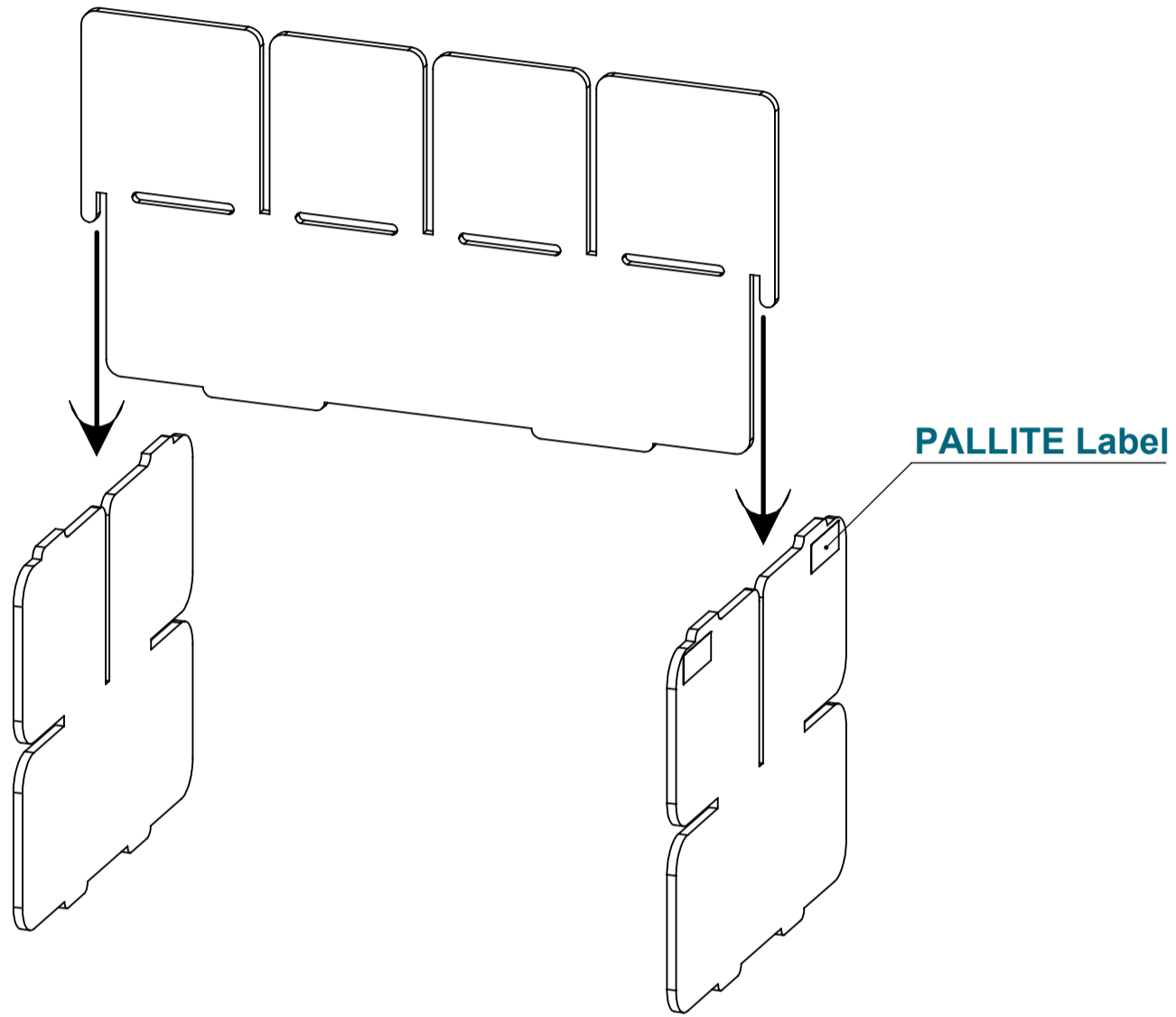
A 'Shelf' unit will not contain the bottom board and 'Pallet Runners' (Feet)

'Pallet Runners' (Feet) may differ from the ones illustrated

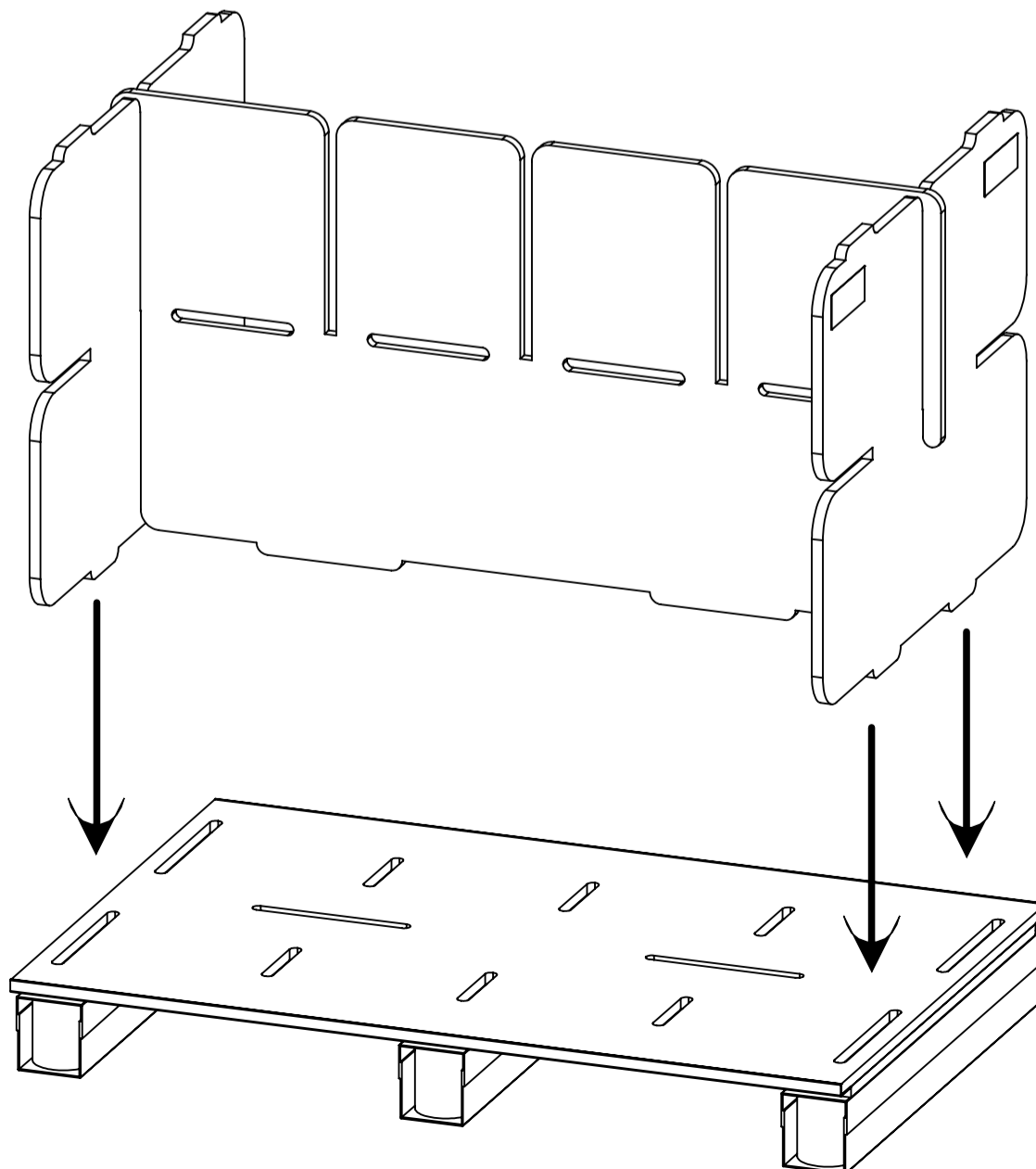
1.



2.

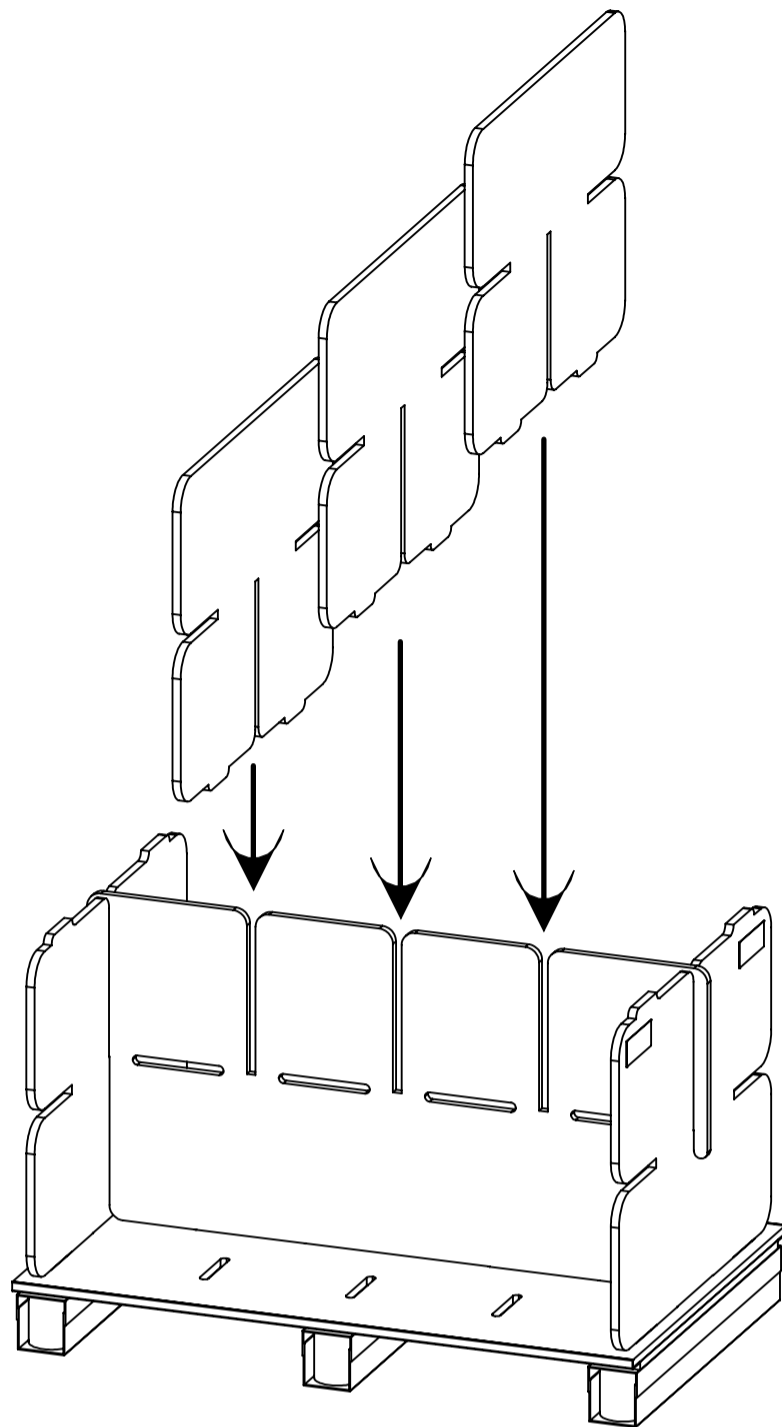


3.

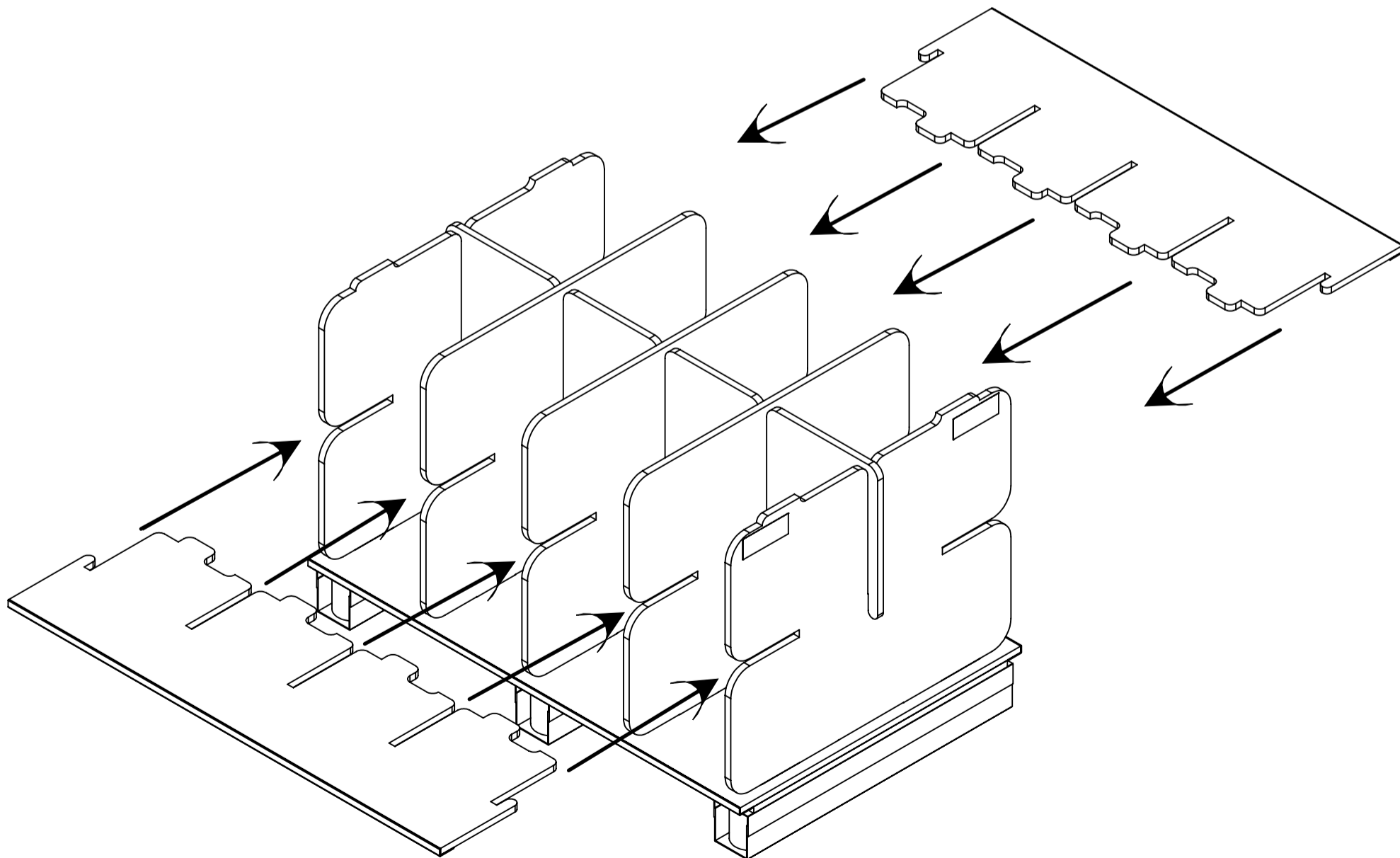




4.

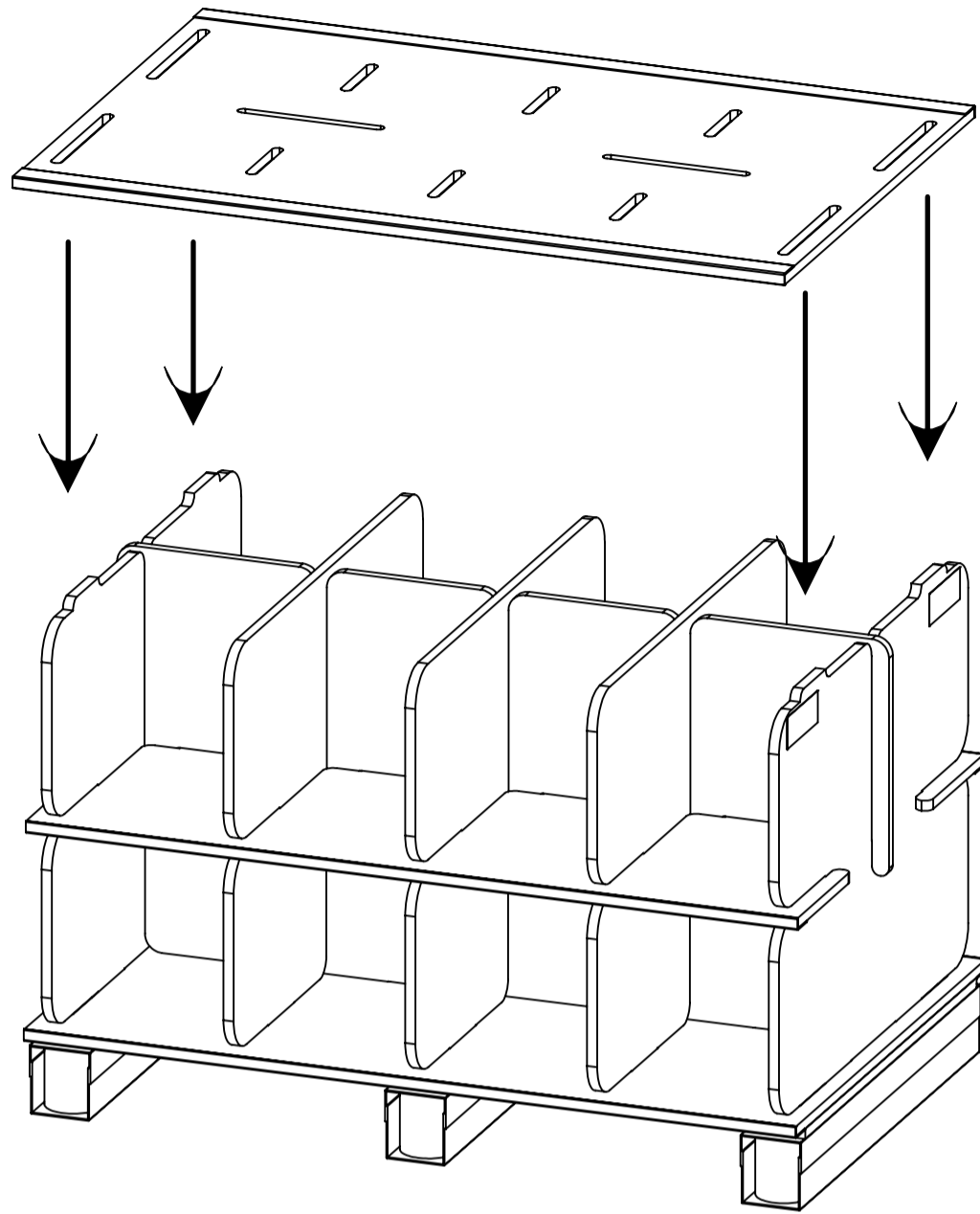


5.

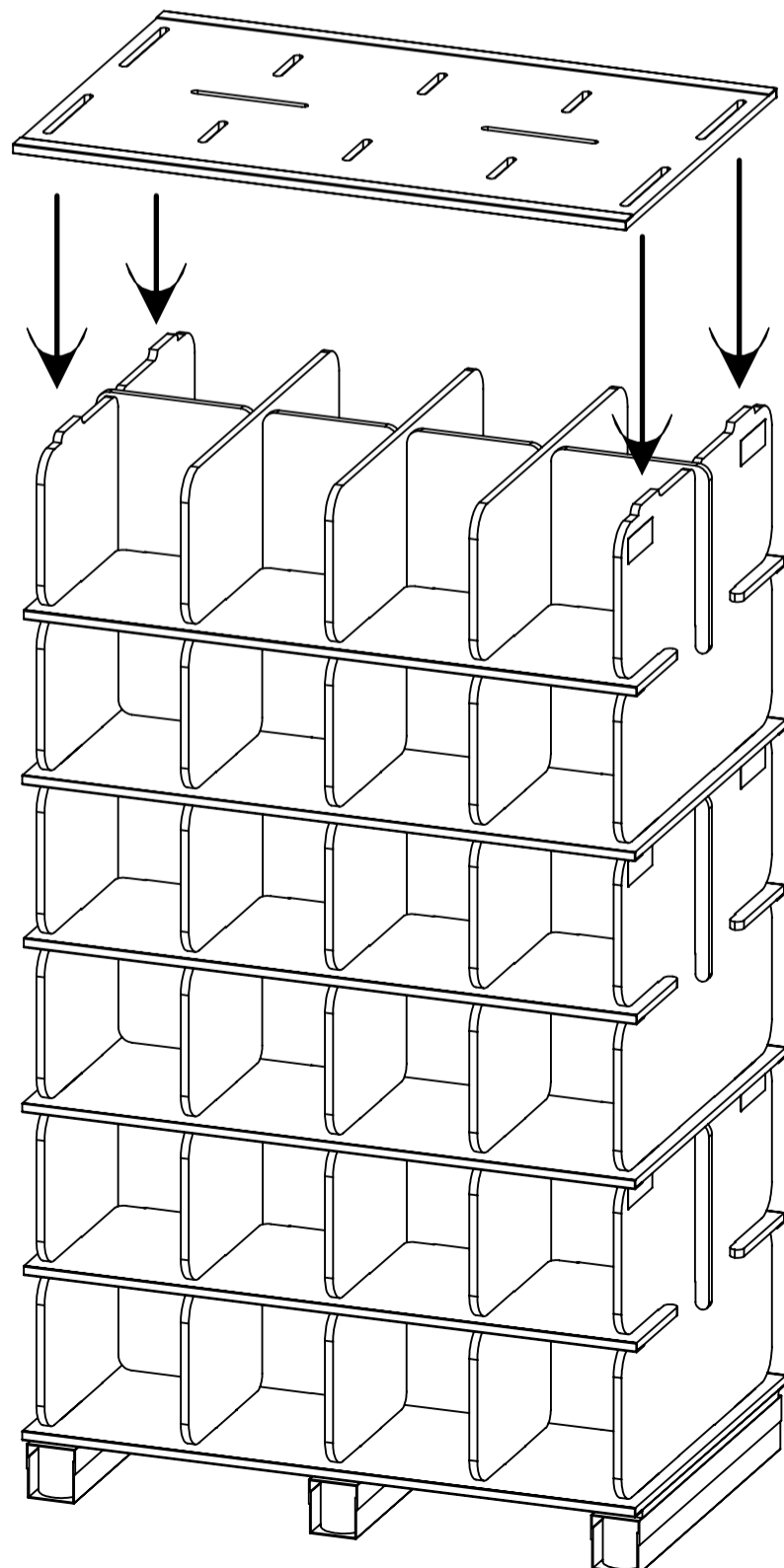


***Only applies if unit contains 'Intermediate Horizontal Shelf'**

6.



7.



Repeat steps 2, 3, 4, 5 (if required) and 6 until all 'Horizontal Shelves', 'Spines', 'Sides', 'Dividers' and 'Intermediate Horizontal Shelves' (if required), have been assembled