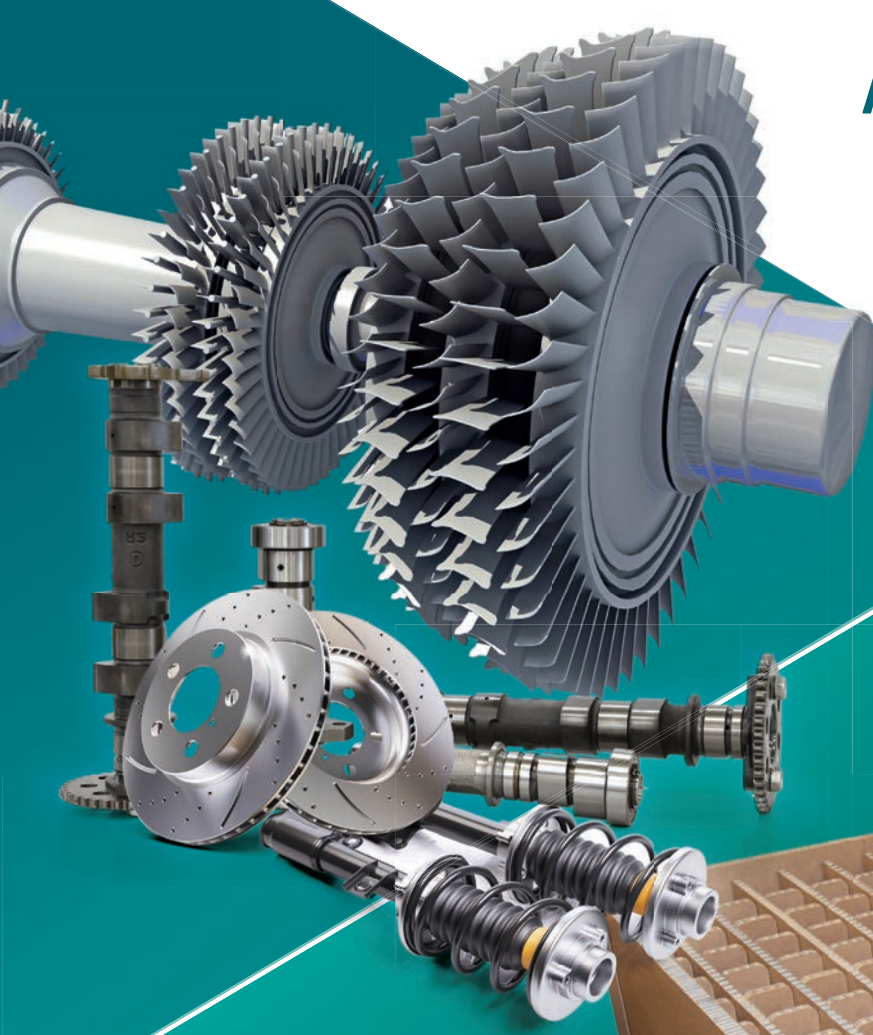


Sustainable Shipping Crates & Packaging for High-Value Automotive & Aerospace Parts



Holds up to
750kg and stacks
up to 500kg.

Up to 83% lighter than
a comparable wooden
shipping crate



KING'S AWARD FOR ENTERPRISE IN INNOVATION 2023 WINNERS, PALLITE® OFFER A COMPLETE RANGE OF SUSTAINABLE SHIPPING CRATES AND TRANSIT PACKAGING IDEAL FOR THE AUTOMOTIVE & AEROSPACE SECTORS.

Manufactured from strong honeycomb cardboard, PALLITE®'s shipping crates provide excellent product protection during transit.

We help automotive & aerospace parts manufacturers to optimise their supply chains by reducing damage and minimising total delivery costs. A standard sized shipping crate can weigh as little as 12.4kg. Our team of in-house professionals work with customers to design bespoke sized shipping crates specific to each product's specifications.

Layers of CNC cut inserts can be produced to ensure excellent stability, with minimal movement during transit.

PALLITE® shipping crates are produced from super strong 25mm reinforced honeycomb paper cardboard wall and are 100% sustainable, protecting your consignment throughout its journey.

All our shipping crates and packaging are ISPM 15 exempt and export ready, perfect for shipping globally.

Manufactured with a palletised base for ease of movement. Two-way or four-way pallet entry is provided with our shipping crates. An extremely cost-effective solution customised to your exact load, size and weight requirements maximising truckloads.



FULLY COLLAPSIBLE FOR EASY STORAGE

- Save your team time and effort with assembly in minutes whilst optimising space in your warehouse when not in use.

STRONG

- A standard specification PALLITE® shipping crate can hold up to 750kg and stack up to 500kg
- Weighing from just 12.4kg a PALLITE® shipping crate is up to 83% lighter than a comparable wooden shipping crate reducing your overall consignment weight, saving you money, and helping reduce your CO2 emissions.

REDUCE THE RISK OF CONTAMINATION

- With no nails or splinters, no tools required for assembly, and a lower risk of mould than wooden shipping crates, the PALLITE® shipping crate can reduce the risk of contamination to your consignments.

EcoSHRED – Void Fill

- PALLITE®'s sustainable void fill can provide an environmentally friendly alternative to polystyrene peanuts and air-filled pockets.
- EcoSHRED is produced from our honeycomb paper board, shredded to provide the perfect packaging or void fill to protect products in transit.
- 100% recyclable EcoSHRED is perfect for companies looking to further their sustainability credentials and add to a circular economy.



PALLITE® Group
60 Sinclair Drive, Park Farm Industrial Estate, Park Farm,
Wellingborough NN8 6UY

enquiries@pallitegroup.com
01933 283920 www.pallitegroup.com

 **PALLITE**
GROUP